

TB325R
2.5-TONNE



**SHORT TAIL
SWING EXCAVATOR**

3 SERIES

TAKEUCHI[®]
From World First to World Leader



NEW 3-SERIES *TB325R* short tail swing excavator

The TB325R is from the New 3-SERIES of Takeuchi excavators, a short tail swing, trailer towable 2.5-tonne compact excavator. Available as a cab or canopy option and weighs-in under 2.5-tonne for safe legal towing.

With a powerful 16.5kW engine output and breakout force of 19.3kN this short tail excavator provides maximum performance and versatility on site.

The TB325R combines all the proven characteristics of Takeuchi excavators: smooth hydraulics, power performance, proven durability, high resale value, with maximum operator comfort and serviceability.



SHORT TAIL SWING

The short tail design offers excellent accessibility where space is limited.

The TB325R with just 825mm slew radius works close to walls minimising potential machine damage.

The TB325R has just 70mm overhang at 90° to track.

With a low centre of gravity and optimized counterweight the TB325R offers an extremely stable platform for excavating at 90° to track.

COMPATIBLE BREAKER

The TB325R is compatible with a Takeuchi TKB102-S sound suppressed hydraulic breaker.

Designed to meet the requirement for quieter operating environments.



OPERATOR COMFORT

The large roomy cab and canopy features ergonomic design with a large colour multi-information display.

The large fully adjustable suspension seat and adjustable armrest provide comfort for all day operating.

Accumulator assisted pilot controls combined with cushioned boom and swing cylinders, help reduce shock and vibrations for a smoother machine operation.

Excellent all around visibility - the cab features gas-lift assist front window and removable/stowable lower glass.

LED workzone lighting and maximum all around visibility with unobstructed blind side window.





STANDARD FEATURES

(see website for the complete features list)

OPERATOR STATION

- All steel Cab/Canopy (ROP / TOPS/ OPG)
- Bolt-on handrail
- Adjustable seat and armrests with retracting seat belt and folding drinks holder
- In-cab radio with stereo speakers MW/FM/ USB/ Bluetooth
- Gas lift-assist window slides into recess
- In-cab multi-vent heater/de-mister
- Foot rests and offset foot pedal

ELECTRICAL

- Sealed rocker switches
- Internal power sockets - 12V / USB
- Cab - Switched roof beacon socket - 12V
- Travel alarm
- LED workzone lights
- Battery isolator
- Switch activated auto tank

ENGINE

- Stage V <19kW - low emission
- Full access side opening & lockable engine hood
- Dual fuel filtration with water trap
- Dual element air filter
- Engine safe start system
- Service interval - 250 hours



HYDRAULICS

- Cushioned boom and swing cylinders
- Boom and arm holding check valves
- Variable presets for multiple attachments
- Aux with auto tank
- Proportional auxiliary controls with detent
- Switched activated dual flow
- Aux with independent isolation valves
- Aux ports: 1st + 3rd (pre-piped for hydraulic hitch) 2nd optional

UNDERCARRIAGE AND FRAME

- Longer than average track frame
- Triple flanged track rollers & sealed bearings
- Secure-sure anchor points



ENHANCED FEATURES

Boom and arm holding valves are factory fitted for added safety in the event of a hose burst failure. An audible warning lift alarm is standard for craning.

Auxiliary hydraulic flows and presets can be adjusted from the comfort of the operator's seat.

The TB325R comes factory fitted with steel hydraulic pipework. Auxiliary Service Ports - 1st pre-piped for breaker and dual flow as standard. 3rd pre-piped for hydraulic hitch with safe hand/foot activation switches.

The TB325R cab features a switched roof beacon socket and the canopy is fitted with a pre-wired beacon switch.

MAXIMUM FUEL EFFICIENCY

Fuel Saving Features:

- Automatic idle
- Electric dial throttle control
- Two-speed tracking with auto step down



STAGE V COMPLIANT



TRAILER TOWABLE

Weighing in at just 2440kg cab and 2310kg canopy inclusive of both a hitch and bucket - the TB325R provides the most powerful yet portable mini digger.

With 4 dedicated secure-sure tie-down anchor points the safest possible transporting is assured.

The TB325R machine weight on a trailer provides capacity for additional bucket and materials up to the 3.5-tonne road-towing restrictions



TB325R SHORT TAIL SWING EXCAVATOR



MAXIMUM SERVICEABILITY

The styled steel engine hood and side cover provide unparalleled access to engine and hydraulic components simplifying all aspects of machine maintenance.

REAR-ACCESS

The lockable swing-out all-steel hood provides unrestricted engine service access.

The rear service door allows quick access to the dipstick, oil fill, engine oil filter and air cleaner. The hydraulic pump pressure detection points alongside the battery and battery isolator switch are easily accessible.

These clustered service points make for quick and easy service routines to maintain machine performance.

OFF-SIDE SERVICE PANEL

The lockable service panel provides excellent access to the hydraulic tank, hydraulic filter, fuel tank, coolant expansion tank and grease gun storage point.

Lower service panel provides storage for tool bag as well as convenient access to the water separator.

ROBUST FOR SITE

The TB325R is manufactured with all steel construction for maximum durability on site.

The main boom and dozer cylinder guards offer maximum protection, and the exposed ground level hydraulic hoses are spiral steel wrapped.



RELIABLE TRACK DESIGN

Triple flanged rollers support the track in multiple positions improving machine stability. The upper roller maintains track alignment and helps shed debris.

High torque auto step-down travel motors deliver on-demand tracking power when dozing, turning and climbing.

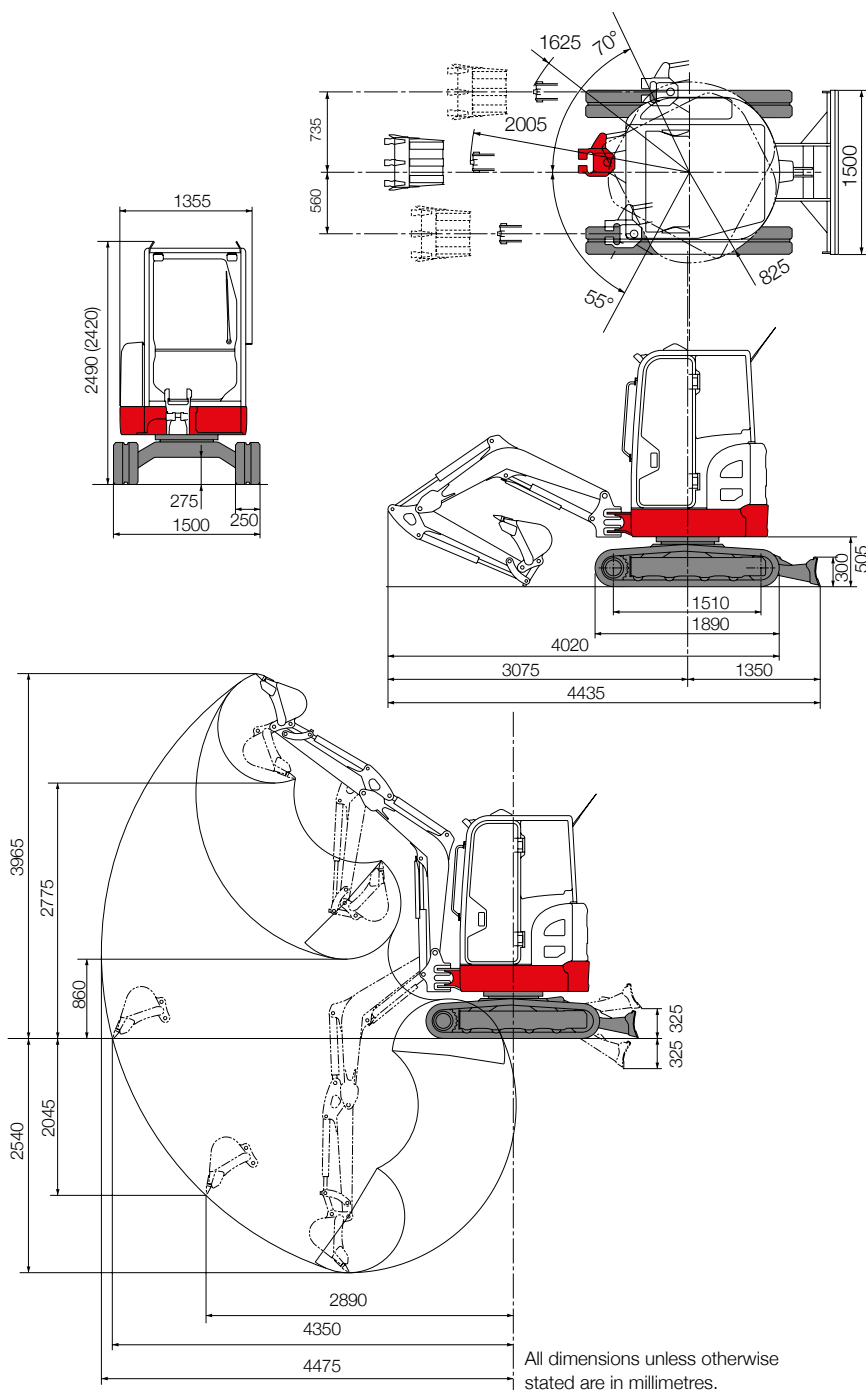


TSS - TAKEUCHI SECURITY SYSTEM

The TB325R comes with TSS immobiliser key as standard. Includes 1 red master key and 3 black user keys. Can programme up to 13 user keys.



TB325R SHORT TAIL SWING EXCAVATOR



TB325R

Standard UK Specification - Long Arm / Rubber Tracks

Engine	
Make	Yanmar
Model	3TNV82A
Rated Output (kW)/rpm	16.5 / 2200
Maximum Torque (Nm)	85.1
Cylinders	3
Displacement (cc)	1330
Electrical System	12V 40A

Dimensions & Weight	
Op. Weight (bucket, hitch, fuel) kg	2440 / 2310
Cab/Canopy	
Overall Length (mm) for transport	4020
Width (mm)	1500
Height Cab/Canopy (mm)	2490 / 2420
Ground Clearance (mm)	275
Min. Front Swing Radius (mm)	1625
Tail Swing Radius (mm)	825
Dozer Blade (W x H) (mm)	1500 x 300

Operating Information	
Max Digging Depth (mm)	2540
Max Dump Height (mm)	2775
Max Reach at Ground Level (mm)	4350
Max Vertical Digging Depth (mm)	2045
Max Bucket Digging Force (kN)	19.3
Max Arm Digging Force (kN)	11.3

Hydraulic System	
Main System Pressure (bar)	210
Pump Type	Variable x 2 + Gear x 2
1st Auxiliary Maximum Flow (l/min) / Pressure (bar)	40 / 210
2nd Auxiliary Maximum Flow (l/min) / Pressure (bar)	14.7 / 196

Swing System	
Boom Swing Angle (L/R)	70 / 55
Slew Speed (rpm)	8.9
Slew Motor	Axial Piston
Slew Brake	Wet Friction Plate

Undercarriage	
Traction Motor	Axial Piston
Traction Drive	Planetary
Traction Brake	Disc
Track Width (mm)	250
Ground Contact Length (mm)	1510
Ground Pressure Cab / Canopy (kPa)	29.1 / 27.6
Travel Speed (km/h)	2.5 / 4.3
Maximum Gradeability	25

Capacities	
Hydraulic System (l)	48
Fuel Tank (l)	31.2
Engine Lubrication (l)	3.6
Cooling System (l)	4.7

Health & Safety	
Noise / Sound Power Level (LwA)	93 dB
Vibration Hand Arm / Body m/sec ²	≤2.5 / ≤0.5

**2 YEAR
2,000 HOUR**

WARRANTY

Takeuchi machines come with a 2 year/2000 hour warranty as standard.

Before fitment of a hydraulic attachment, machine auxiliary pressure and flow should be accurately measured. For all lifting specifications please refer to the lift charts on the Takeuchi website or operator manual.

In accordance with our established policy of constant improvement, we reserve the right to amend these specifications at any time without notice. Photographs shown may feature non-standard equipment.

For more information locally contact:



SCAN ME

To find your local dealer

Takeuchi Mfg (UK) Ltd, Unit E2B Kingsway Business Park, John Boyd Dunlop Drive, Rochdale, Lancashire OL16 4NG
E: info@takeuchi-mfg.co.uk www.takeuchi-mfg.co.uk

@TakeuchiUK

TAKEUCHI
From World First to World Leader